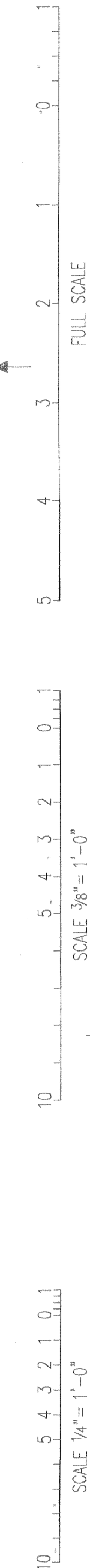
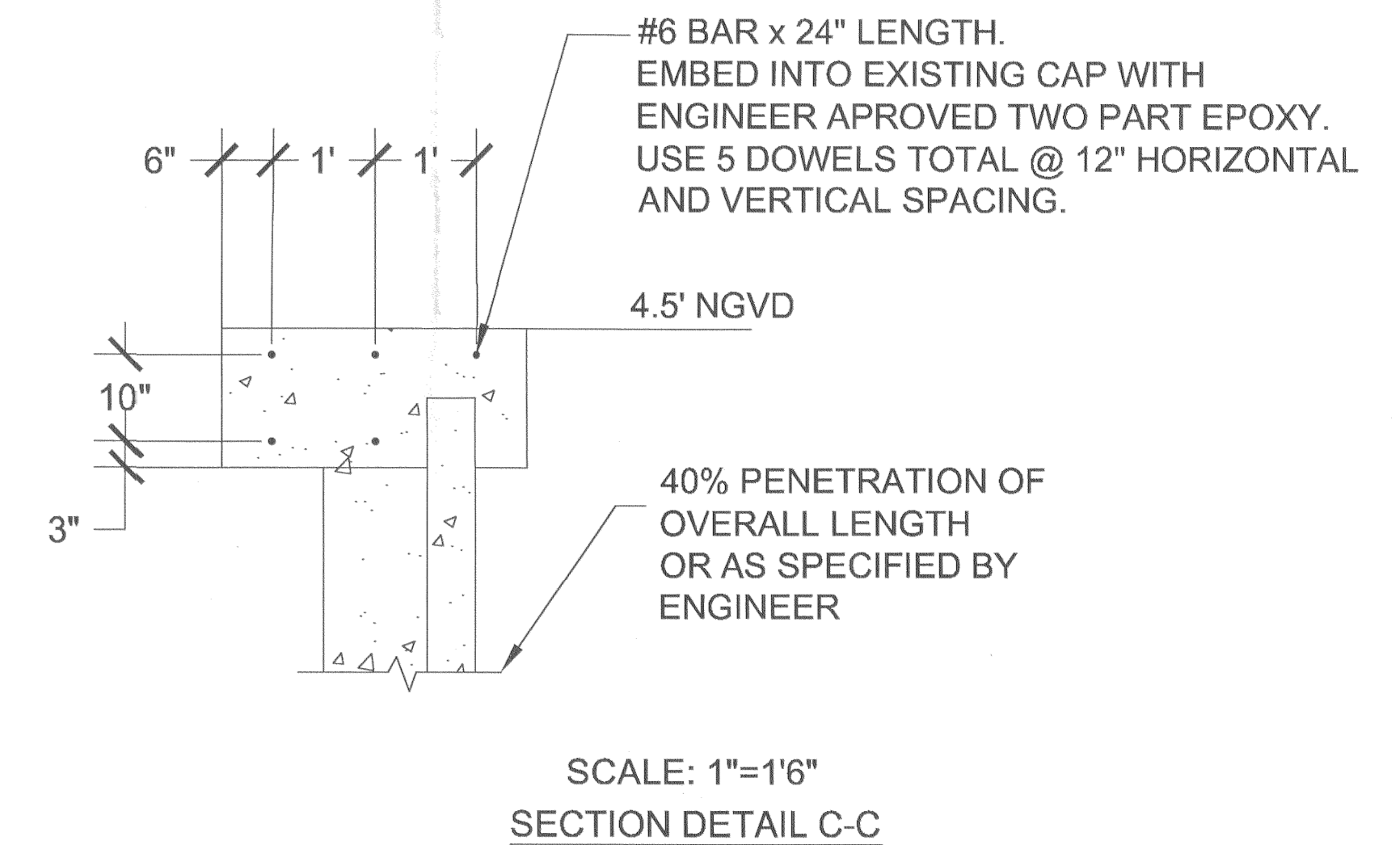
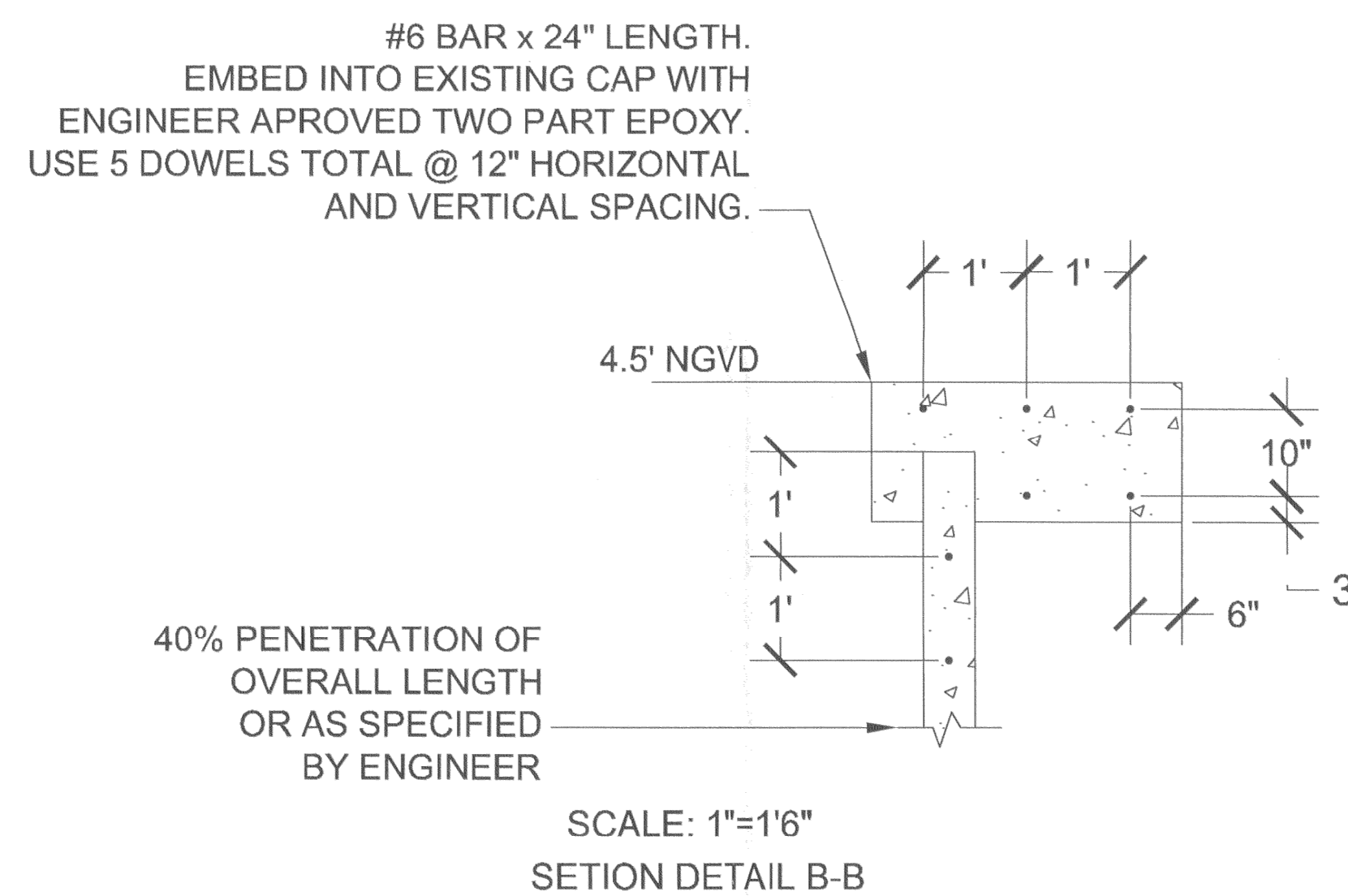
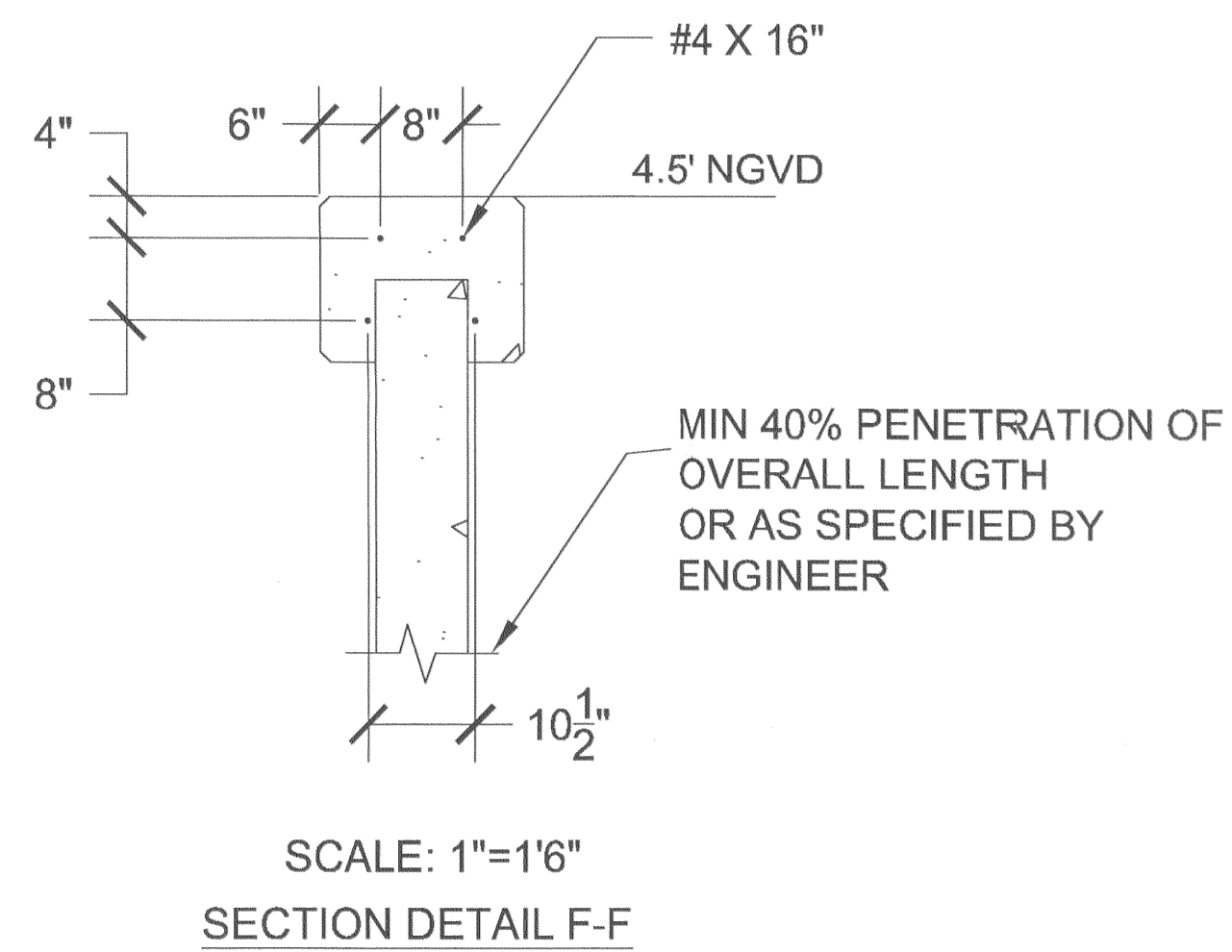
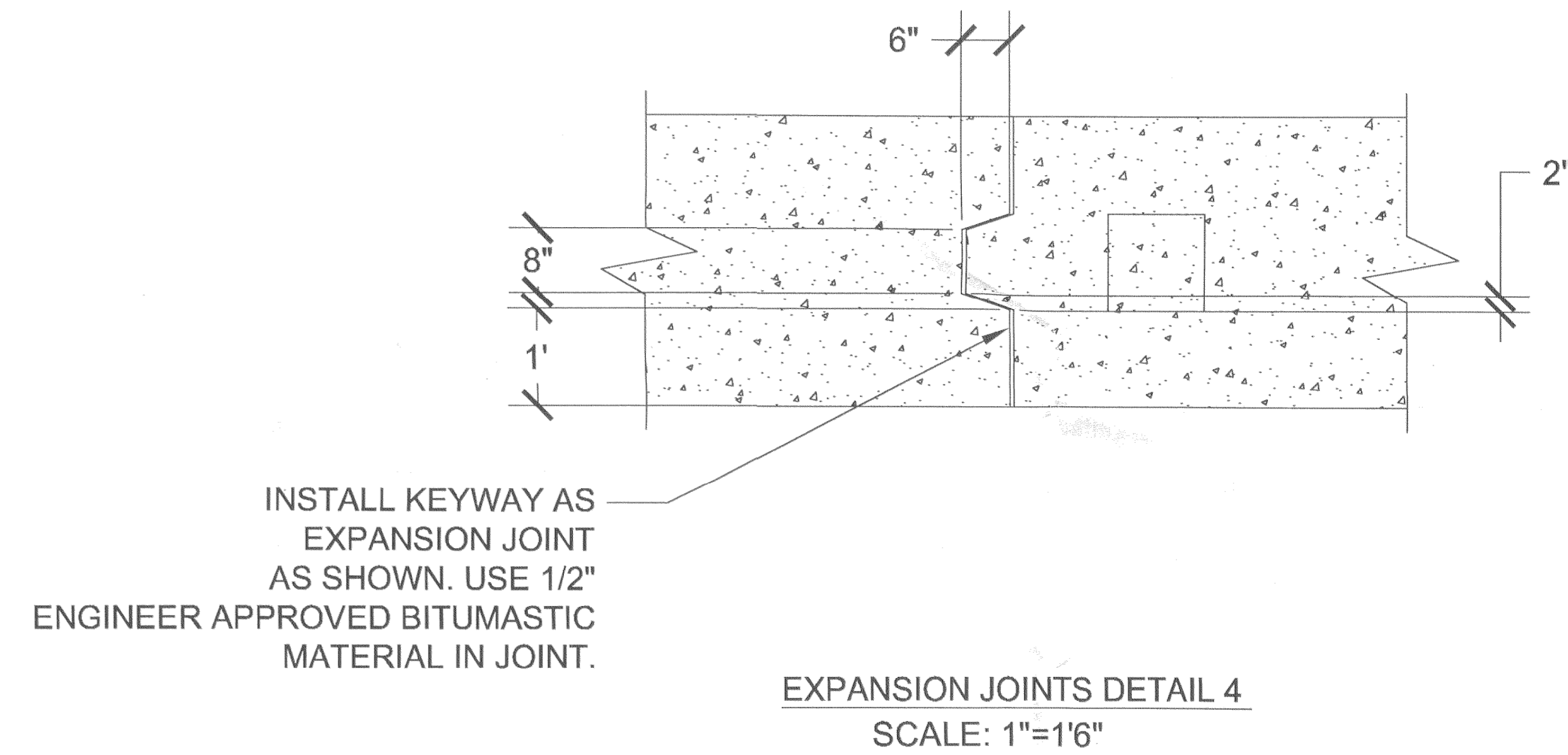
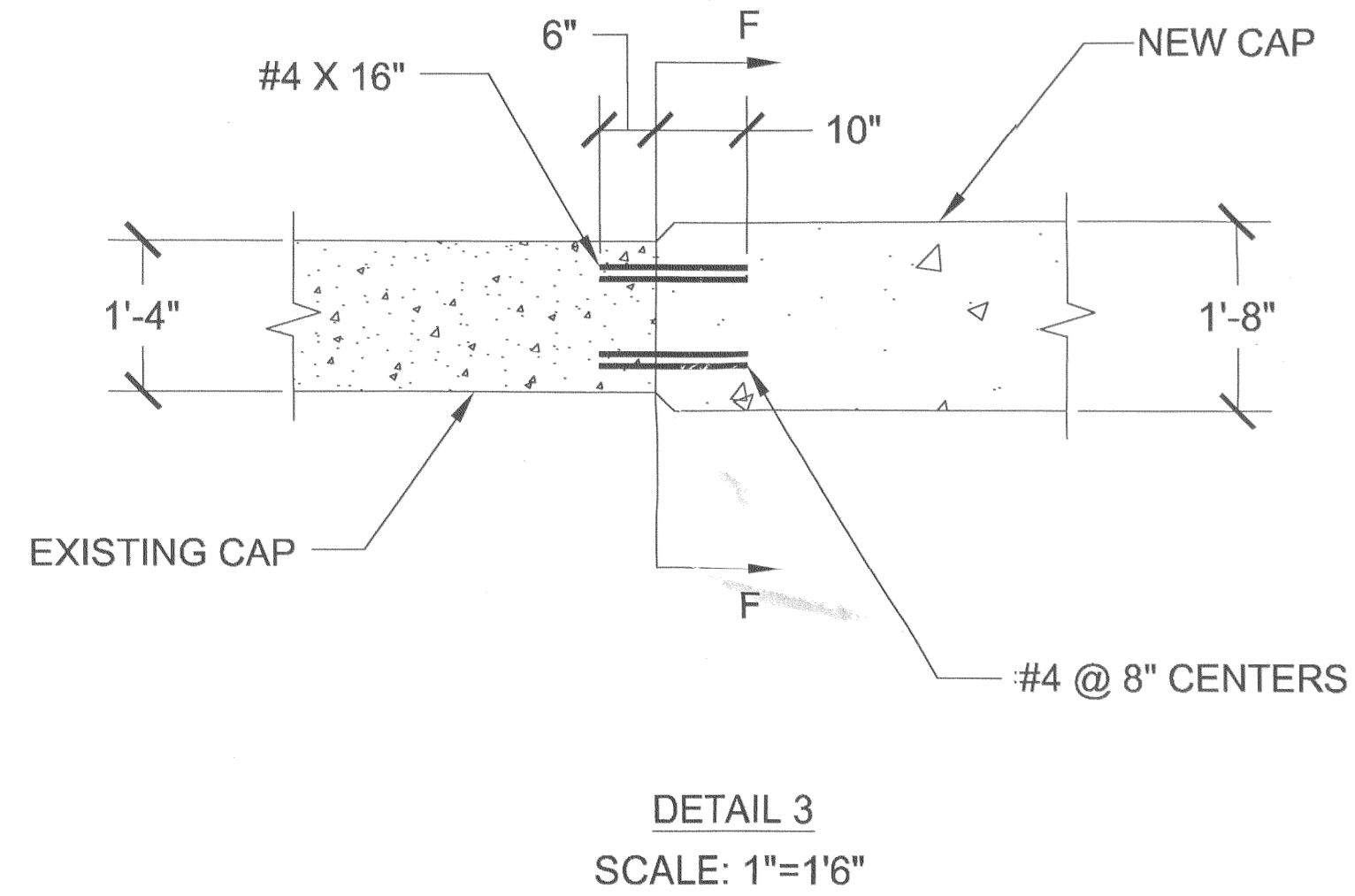
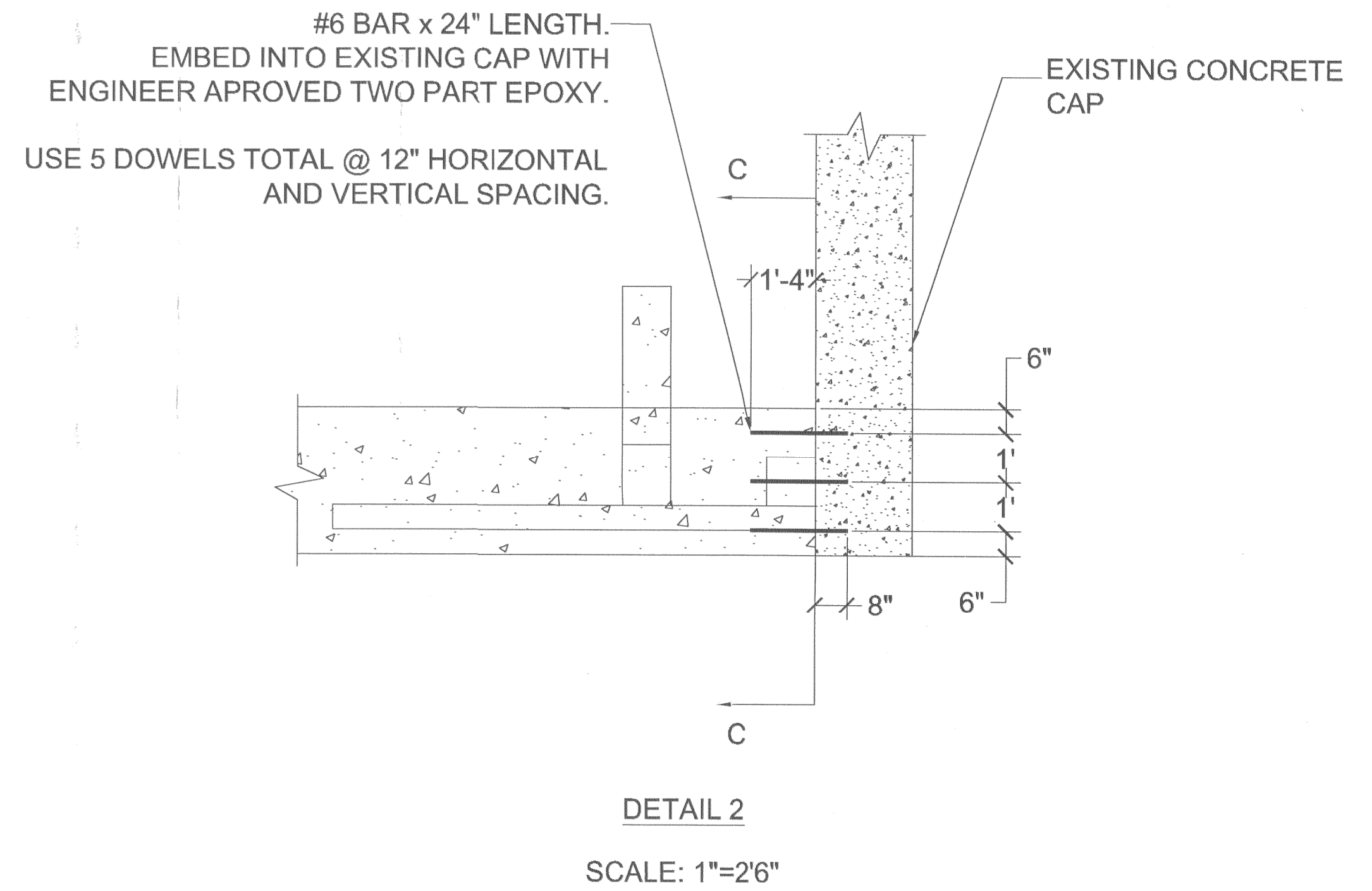
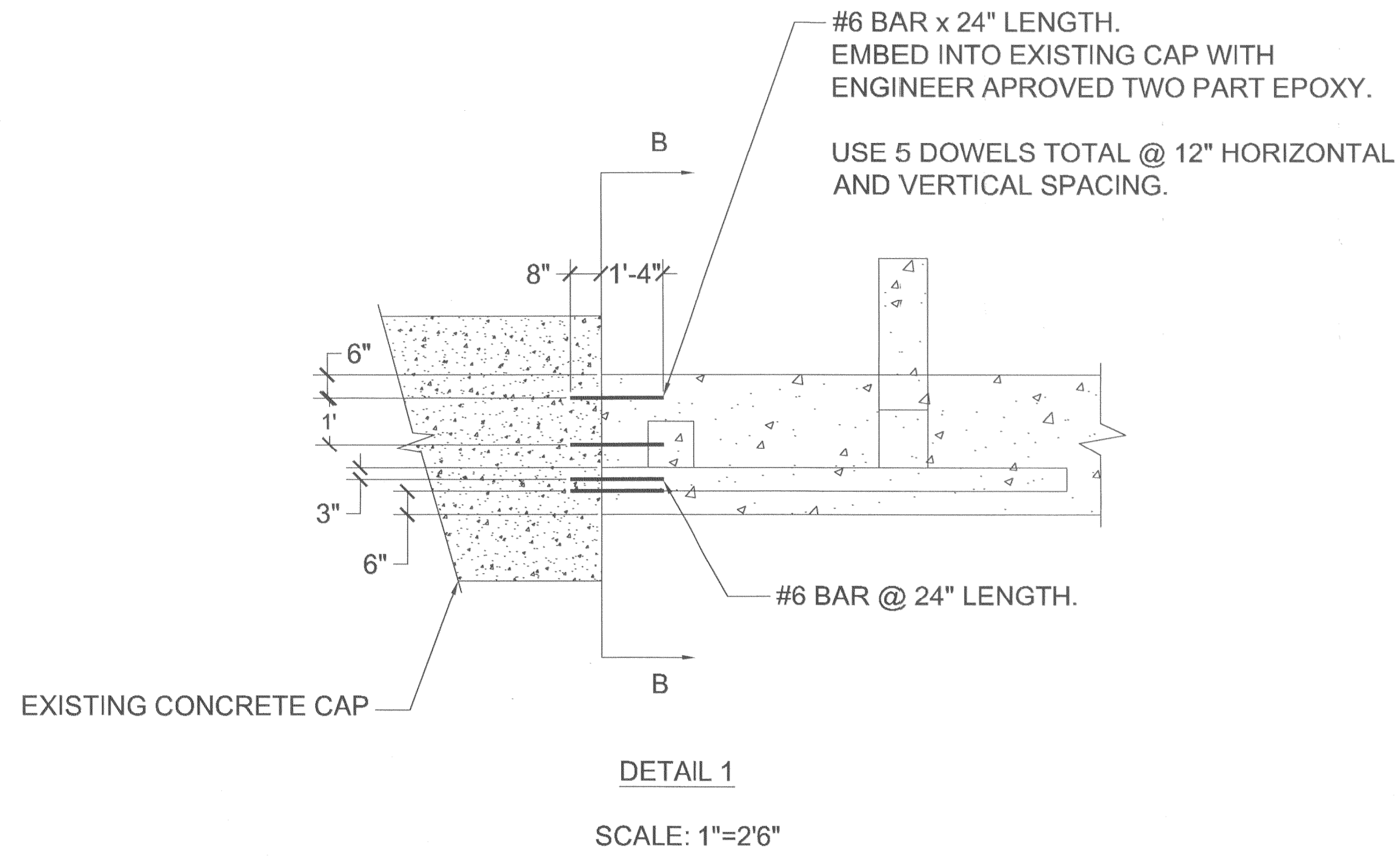


WALKDOWN INFORMATION	ORG	BY	DATE
	AS-BUILT INFORMATION		
TECHNICAL ACCEPTANCE	ORG	BY	DATE
	ENGINEERING ORGANIZATION		



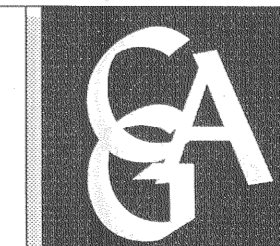
NOTE: NOT TO BE USED FOR CONSTRUCTION UNLESS APPROVED. APPROVED: _____ DATE: _____

1	01-29-03	SUNNY ISLES BUILDING DEPT. & CALVIN, GIORDANO COMMENTS	JW	RJC	RJC
REV	DATE	REVISION DESCRIPTION	BY	CH	COR

P.E. SEAL

TITLE
PROJECT NAME

DETAILS
CITY OF SUNNY ISLES BEACH
SEAWALL REPLACEMENT AND RESTORATION



Calvin, Giordano & Associates, Inc.
Engineers • Surveyors • Planners
1800 Eller Drive, Suite 600
Fort Lauderdale, Florida 33316
Phone: 954 921 7781 Fax: 954 921 8807
CUTCHER & ASSOCIATES INC., COASTAL ENGINEERS
330 Clematis Street, Suite 214
West Palm Beach, Florida 33401
Ph: (561) 832-8121 Fax: (561) 832-6998

CAD FILE NAME	CAD ARCHIVE NAME
SCALE AS SHOWN	DRAWING SIZE
REVISION	SHEET
DRAWING NUMBER	